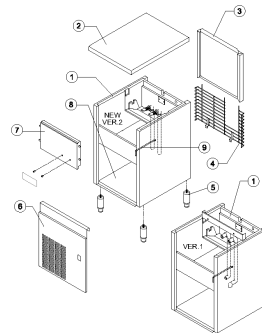




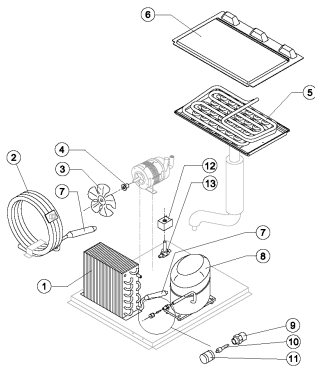
# MODELLO/MODEL: 730543-730544-730563-730564-730584-730585-730571-730160



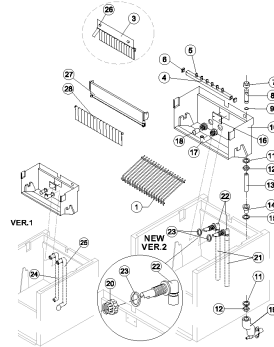
## INVOLUCRO/SHELL



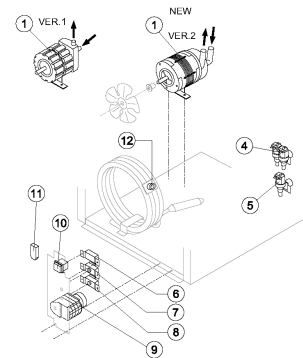
## GRUPPO FRIGORIFERO/COOLING SYSTEM



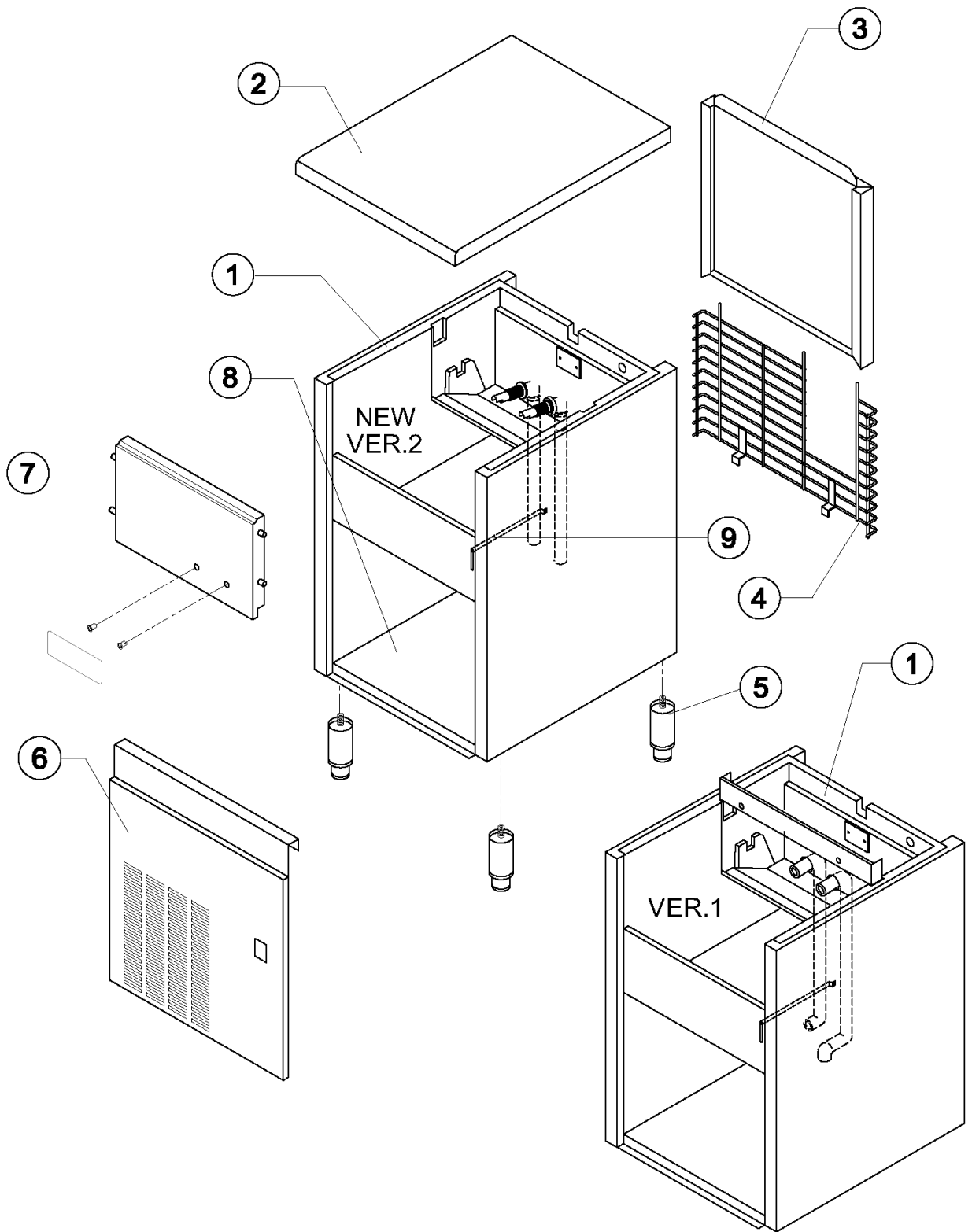
## CIRCUITO IDRAULICO/HYDRAULIC CIRCUIT



## PARTI ELETTRICHE/ELECTRIC PARTS



Rev. 6 - 30/07/2007

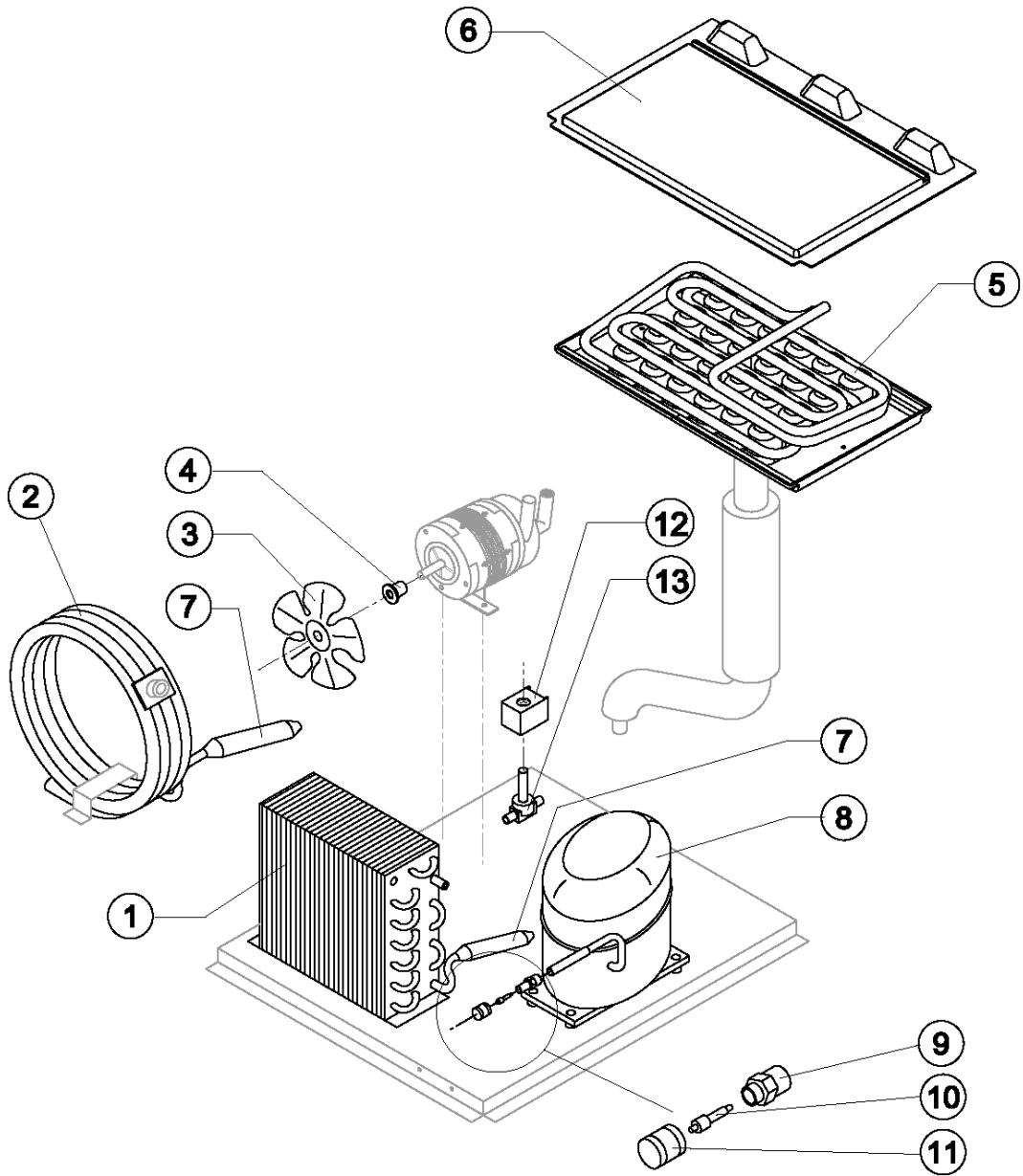


?????? 730543

?????? SP730543 ???????? 2 SHELL

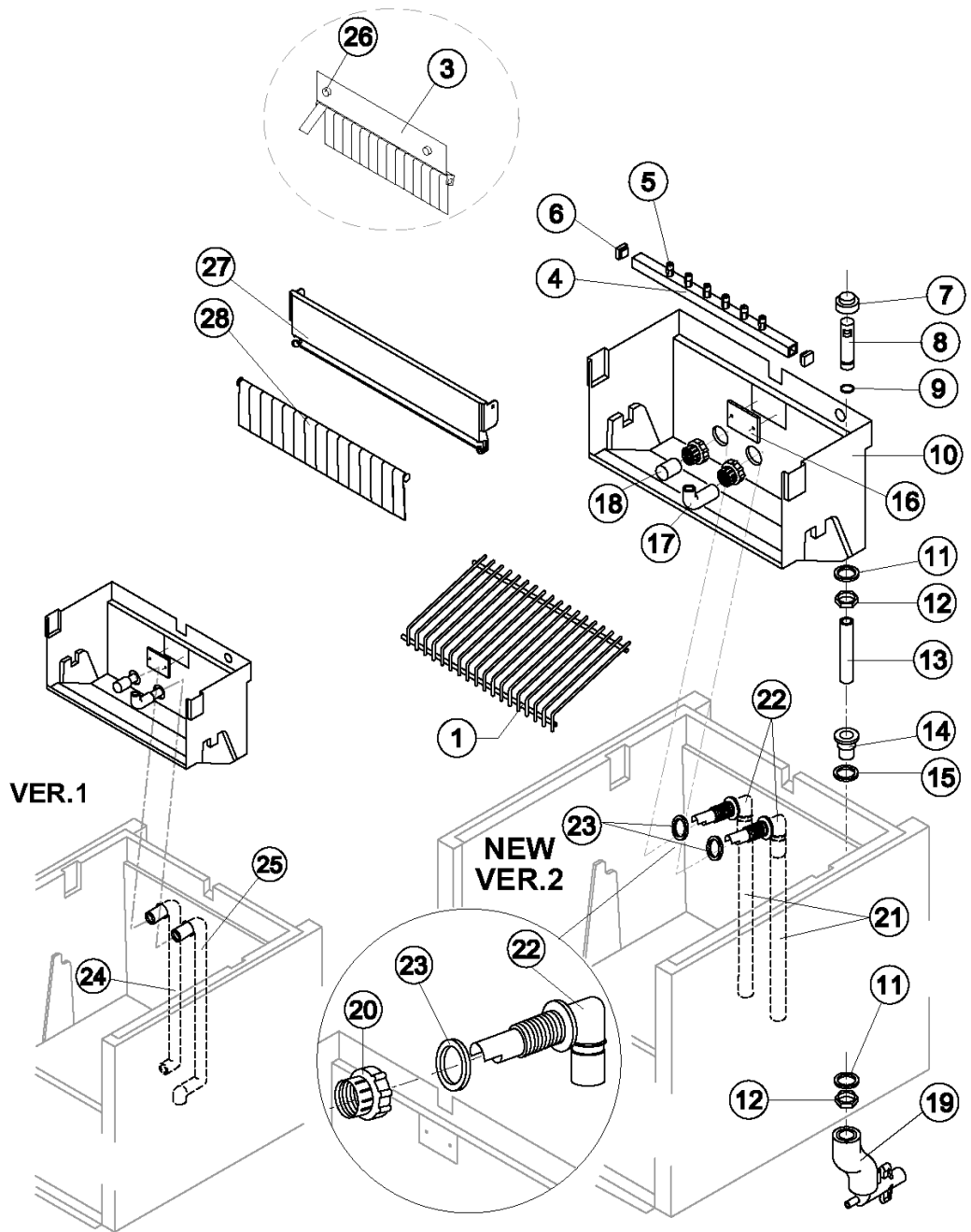
.		Alias		S		.			(Euro)
0001	000000	C11004/E						18 g. (Standard)	
0001	000000	C11004/E						33 g.	
0001	000000	C11004/ED						13 g.	
0001	000000	RC11004A						Aria/Air	
0001	000000	RC11004W						Acqua/Water	
0002	0KK205	C22692			D			TOP ASSEMBLY	130,90
0003	091634	C21182						REAR PANEL; COMPLETE	44,36
0004	093959	D12006			D			REAR GRILL	14,32
0005	085306	10040						FOOT	
0005	089783	20613						FOOT; ADJUSTABLE	8,58
0006	0U1272	22702			D			FRONT FACIA PANEL	67,09
0007	099208	C10297						DOOR; ASS.	110,60
0008	000000	21013							
0008	000000	21279							
0009	000000	20522							

Rev. 6 - 30/07/2007



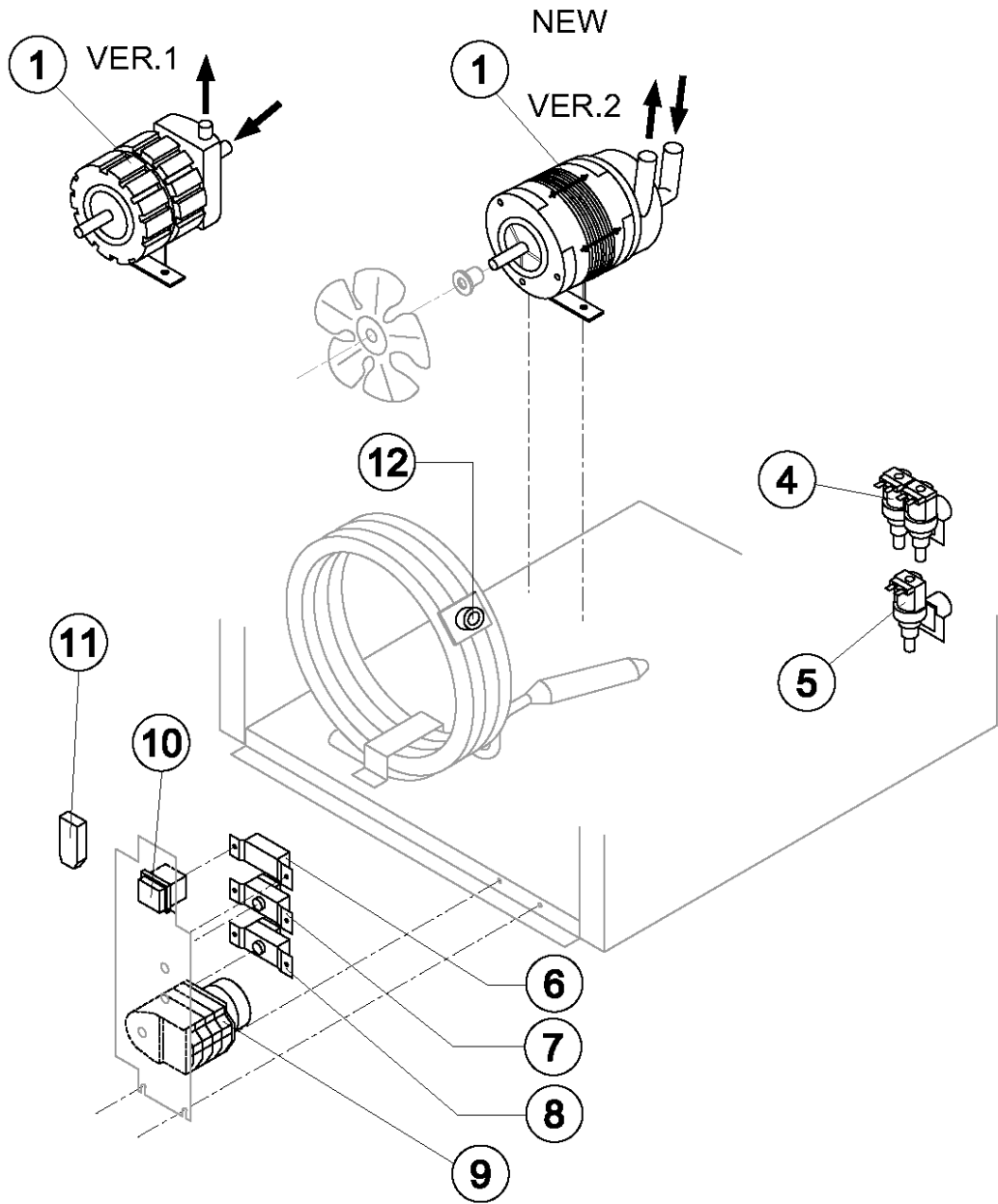
??????	730543									
??????	SP730543	???????? 3							COOLING SYSTEM	
.		Alias		S			.			(Euro)
0001	085607	20283							CONDENSER	57,04
0002	000000	14014								
0003	085287	10213							FAN BLADE	7,00
0004	OKK248	10014							HUB	1,38
0005	000000	D10089								33 g.
0005	000000	D10417								13 g.
0005	000000	D10465								42 g.
0005	0U1252	D10046							EVAPORATOR FCG30A	18 g. (Standard) Cube
0006	000000	10023								Fino a Matr. 224519/Till s/n. 224519
0006	091382	10449					D		COVERING; FOR EVAPORATOR	Versione Attuale/Current Version
0007	000000	14009								
0008	085599	23441							COMPRESSOR	220/240V 50 Hz
0008	089084	23446							COMPRESSOR	110/115V 60 Hz
0008	OKV668	23494							COMPRESSOR;AEZ4425;208 220V 60HZ;R404A	220/230V 60 Hz
0009	085292	14007					D		VACUUM CHARGE VALVE BODY	2,01
0010	000000	14005								
0011	000000	14006								
0012	085289	23091							HOT GAS VALVE COIL	220/230V 60 Hz
0012	085289	23091							HOT GAS VALVE COIL	220/240V 50 Hz
0012	091360	23256							COIL	110/115V 60 Hz
0013	087965	20410							HOT GAS VALVE BODY	69,22

Rev. 6 - 30/07/2007



??????	730543									
??????	SP730543	???????? 4							HYDRAULIC CIRCUIT	
.		Alias		S			.			(Euro)
0001	000000	D12030							33 g.	
0001	000000	D12030							42 g.	
0001	000000	D12038							13 g.	
0001	OKK200	D12008						ICE CUBES SLIDE	18 g. (Standard)	10,89
0003	085325	C22035						COMPLETE KIT FLAGS AND	Fino a Matr. 380248/Till s/n. 380248	44,86
0004	000000	C20029							18 g. (Standard)	
0004	000000	C20189							13 g.	
0004	093465	C20155			D			SPRAYERS BAR ASSEMBLY; FOR CUBE 33GR.	33 g.	42,83
0004	093465	C20155			D			SPRAYERS BAR ASSEMBLY; FOR CUBE 33GR.	42 g.	42,83
0005	085268	D20002		S				SPRAYER		3,01
0006	000000	10012								
0007	000000	10305								
0008	087972	10133						OVERFLOW CONNECTOR		1,41
0009	087973	20233			D			GASKET		1,33
0010	094626	10253			D			INNER BASIN; 316-416-425		32,48
0011	034244	13007						GASKET		1,73
0012	091716	10096			D			NUT		3,07
0013	000000	13107								
0014	000000	10472								
0015	034243	13006						GASKET		1,73
0016	008009	10009						SPRING		53,49
0017	OKV671	13005						SPRAYERS FEEDING PIPE		4,28
0018	000000	20005								
0019	085275	C10006						MANIFOLD		16,83
0019	085276	C26452						MANIFOLD		15,31
0020	OHA006	10405			D			GUARNIZIONE ANGOLARE VASCA	Version 2	1,73
0021	000000	13137							Version 2	
0022	OD5919	10404						AXIS; ROUE TR250	Version 2	12,98
0023	000000	13143							Version 2	
0024	OKK241	13013						PUMP SUCTION PIPE	Version 1	
0025	OKK240	13014						PUMP DELIVERY PIPE	Version 1	11,50
0026	000000	20009							Fino a Matr.380248/Till s/n. 380248	
0027	OD1817	10526			D			LOWER STLESS STL COVER TBM120/50	Versione Attuale/Current Version	
0028	092805	C10534		S				ROD; COMPLETE	Versione Attuale/Current Version	14,32

Rev. 6 - 30/07/2007





??????	730543								
??????	SP730543		???????? 5				ELECTRIC PARTS		
.		Alias		S		.			(Euro)
0001	000000	23002						Version 1 - 220/230V 60 Hz	
0001	000000	23002						Version 1 - 220/240V 50 Hz	
0001	037874	23663					PUMP; 60 HZ	Version 2 - 110/115V 60 Hz	149,20
0001	089693	23264					PUMP; 115V 60HZ	Version 1 - 110/115V 60 Hz	140,10
0001	089699	23377		S			PUMP; 220-240V 50/60HZ 1-P	Version 2 - 220/230V 60 Hz	175,60
0001	089699	23377		S			PUMP; 220-240V 50/60HZ 1-P	Version 2 - 220/240V 50 Hz	175,60
0004	000000	23116						Parts for Wayer Cooled Version Only - 220/230V 60 Hz	
0004	000000	23116						Parts for Wayer Cooled Version Only - 220/240V 50 Hz	
0004	000000	23322						Parts for Wayer Cooled Version Only - 110/115V 60 Hz	
0005	000000	23115						Parts for Air Cooled Version Only - 220/230V 60 Hz	
0005	000000	23115						Parts for Air Cooled Version Only - 220/240V 50 Hz	
0005	000000	23410						Parts for Air Cooled Version Only - 110/115V 60 Hz	
0006	0KK218	23175					CONDENSER PRESSURE SWITCH		48,52
0007	085283	R23005		S			BIN THERMOSTAT; K50-L3121		15,68
0008	087969	R23591		S			EVAPORATOR THERMOSTAT		26,40
0009	000000	23222						220/240V 50 Hz - 18 g Cube	
0009	000000	23786						110/115V 60 Hz - 33 g Cube	
0009	000000	23786						110/115V 60 Hz - 42 g Cube	
0009	085285	23247		S			TIMER	220/230V 60 Hz - 13 g Cube	58,57
0009	085285	23247		S			TIMER	220/240V 50 Hz - 13 g Cube	58,57
0009	085329	23248		S			TIMER	220/230V 60 Hz - 18 g Cube	58,57
0009	085329	23248		S			TIMER	220/240V 50 Hz - 33 g Cube	58,57
0009	091317	23780					TIMER; 4 CAMME 18'	220/230V 60 Hz - 33 g Cube	59,99
0009	091317	23780					TIMER; 4 CAMME 18'	220/230V 60 Hz - 42 g Cube	59,99
0009	091317	23780					TIMER; 4 CAMME 18'	220/240V 50 Hz - 42 g Cube	59,99
0009	099423	23259					TIMER	110/115V 60 Hz - 18 g Cube	78,44
0009	0KK217	23258			D		TIMER	110/115V 60 Hz - 13 g Cube	65,67
0010	085609	23327		S			LIGHT SWITCH; GREEN; 0-1		3,25
0011	000000	C23457						Parts for Wayer Cooled Version Only - Only 220V 50 Hz	
0012	0KK203	C23114	085286				SAFETY THERMOSTAT	Parts for Wayer Cooled Version Only	